

LED LOW BAY LIGHT 50W DATASHEET LBL50C



Features:

- In-Built LED driver
- Low Voltage, Low/High Frequency, and Overvoltage disconnect Protection
- High Efficiency LED with Lumen Efficiency **120-140 lm/W**
- IP65 Enclosure for LEDs
- Pf >0.95
- Typical Luminous Flux: **4900 Lumens**
- **colour coordinates:** x = 0.32, y = 0.34 acc. to CIE 1931 (white)
- **Lumen maintenance: >80% of initial Lumen Maintenance at 50,000 Hours (LM80)**
- **Available. colour temperature:**5700-6500K
- **Beam angle:** 120°
- **Superior Corrosion Robustness** – Powder Coated Aluminium Housing.

Application:

- Ware houses
- Industrial sheds
- Bay lighting
- Manufacturing And retail lighting
- Cold Storage lighting
- Retail lighting

Electrical Parameters*

Operating Data:

Parameter	Symbol	Value	Unit
Storage Temperature Range	T _{stg}	-30.... + 95	°C
Operating Temperature Range	T _{op}	-10.... + 60	°C
Nominal AC Voltage	-	220	V
AC Voltage Range	-	110.... 270	V
PF	-	>0.95	-
THD	-	<10	%
Operating RH	RH _{op}	0.... 95	%

Power Consumption	W	50	Watts
CRI		>80	

Protections*

- Surge Protection Upto 4KV
- AC Isolation
- Overvoltage Protection
- Open Ckt/ Short Ckt Protection
- Ingress protection is IP65(Dust Penetration-Protected, Jet Proof)
- Environmental Protection

Mechanical Parameters*

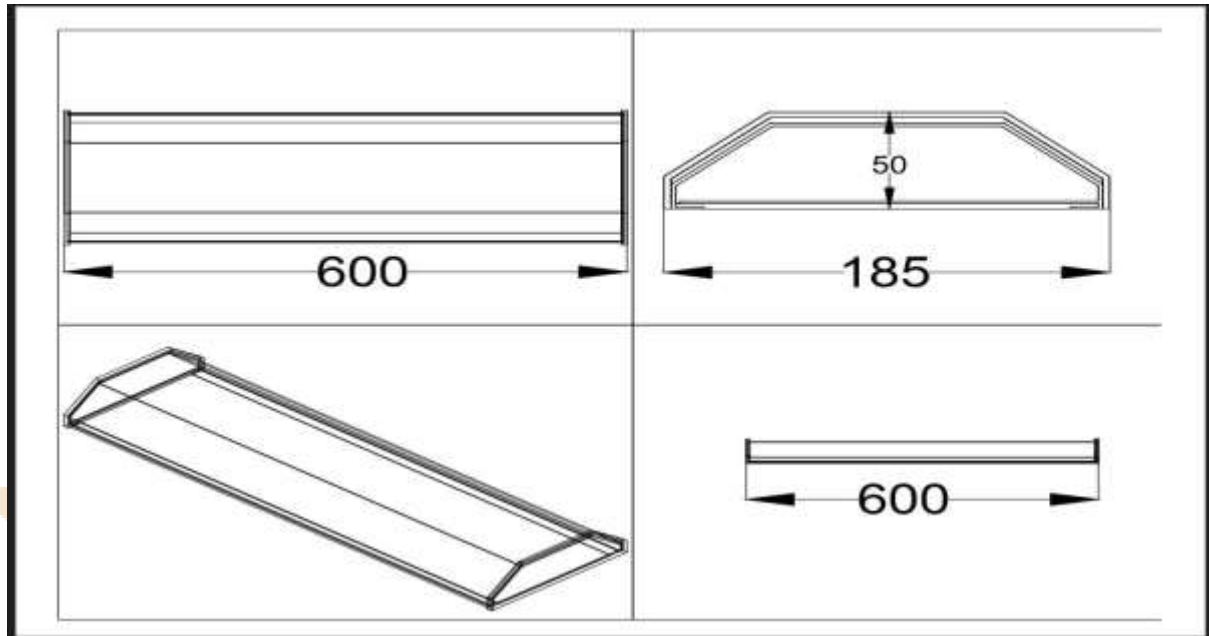
Product dimensions:

		Value	Unit
Dimensions	Length	600	Mm
	Breadth	185	Mm
	Height	50	Mm

Mounting Data:

Mounting Type	Surface
	Suspended
Installation	Suspension
	Through L-Clamp

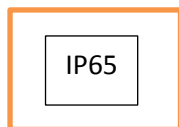
Product Drawing:



Certifications:



Compliance:



Virex All Rights Reserved.

Release Date-01-01-2016

www.virex.in

* Please Note that due to continuous development specifications are subject to change without prior notice

